

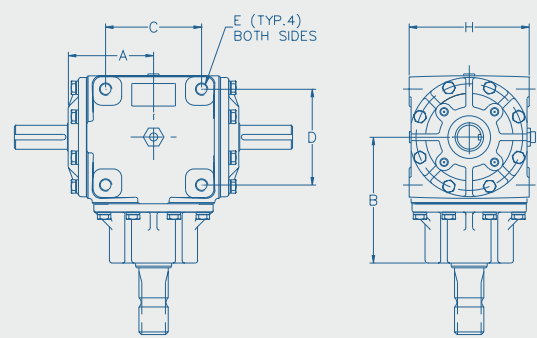


OMNI GEAR®

Universal Bevel Gear Drives

Creating Value for our Customers
www.OmniGear.com

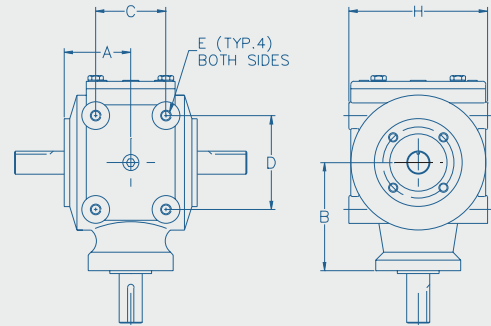
Physical Dimensions



LR Series

Model	Maximum Weight of Unit		CL to Thru Cap A		CL to Cant. Cap B		Bolt Hole Pattern C		Bolt Hole Pattern D		Mounting Holes E	Mounting Height H	
	lb	kg	in	mm	in	mm	in	mm	in	mm		in	mm
LR-100	10	5	2.5	63	3.7	94	3.1	79.5	3.1	79.5	5/16"-18UNC	3.7	93
LR-200	23	10	3.5	89	5.0	127	4.3	107.9	4.3	107.9	3/8"-16UNC	4.1	105
LR-400	42	19	4.0	102	5.9	150	4.5	114.3	4.5	114.3	1/2"-13UNC	5.6	143
LR-500	98	45	5.4	136	8.8	223	6.0	152.4	6.0	152.4	1/2"-13UNC	7.5	190
LR-600	185	84	6.7	171	9.4	239	7.0	177.8	7.0	177.8	5/8"-11UNC	10.0	254

Custom shafts, oil ports and mounting hole positions available. Contact Omni Gear for details.



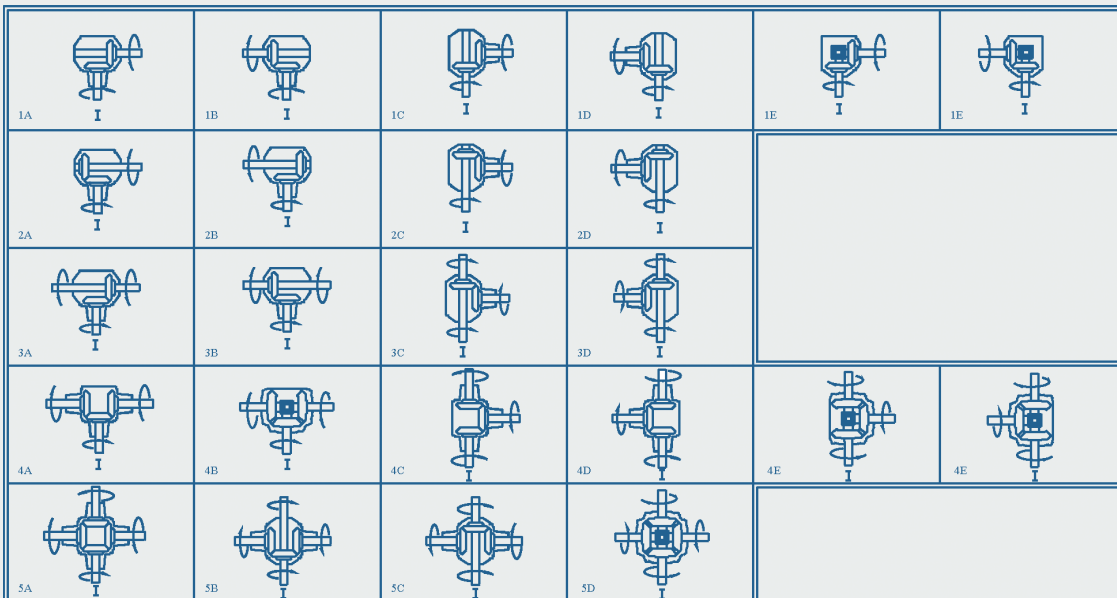
HR Series

Model	Maximum Weight of Unit		CL to Thru Cap A		CL to Cant. Cap B		Bolt Hole Pattern C		Bolt Hole Pattern D		Mounting Holes E	Mounting Height H	
	lb	kg	in	mm	in	mm	in	mm	in	mm		in	mm
HR-200	25	11	2.8	72	4.6	117	3.0	75.9	4.0	101.6	3/8"-16UNC	5.9	150
HR-400	49	22	3.4	85	6.3	160	3.3	84.0	4.5	114.3	1/2"-13UNC	7.5	190
HR-500	65	30	4.4	111	8.0	202	3.9	100.0	5.5	140.0	5/16"-18UNC	8.8	225
HR-600	82	37	4.8	121	8.9	225	4.7	119.9	5.9	149.9	5/16"-18UNC	9.8	250

Custom shafts, oil ports and mounting hole positions available. Contact Omni Gear for details.

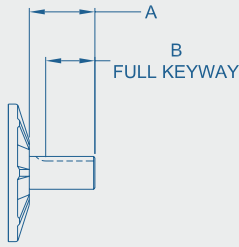
Unit Configurations

Center post configurations are only available on the LR series. Some configurations are not available in the HR series.



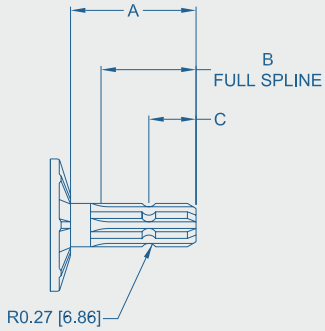
Shaft Options

Keyed Shaft Options



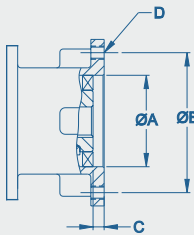
Code	Shaft Diameter		Key Size		Extension Length A		Full Keyway B	
	in	mm	in	mm	in	mm	in	mm
K1	3/4"	19	3/16"	4.76	1.38"	35.0	1.25"	31.8
K2	1"	25	1/4"	6.35	2.0"	50.8	1.5"	38.1
K4	1-3/8"	35	5/16"	7.94	2.6"	66.0	1.97"	50.0
K5	1-1/2"	38	3/8"	9.53	2.75"	70.0	1.97"	50.0
K6	2"	51	1/2"	12.7	3.0"	76.2	2.6"	66.0
K7	1-3/4"	19	1/2"	12.7	3.0"	76.2	2.38"	60.0
K8	1-3/4"	19	3/8"	9.53	2.75"	70.0	1.97"	50.0

Splined Shaft Options



Code	Shaft Diameter		Spline Teeth	Extension Length A		Full Spline B		QD Groove C	
	in	mm		in	mm	in	mm	in	mm
S1	1-3/8"	35	6	3.97"	101	3.0"	76.2	1.5"	38.1
S2	1-3/8"	35	21	3.82"	97	2.5"	63.5	1.0"	25.4
S3	1-3/4"	44	20	4.25"	108	3.5"	88.9	1.5"	38.1
S4	1-3/8"	35	6	3.78"	96	3.0"	76.2	1.5"	38.1
S5	1-3/4"	44	6	3.97"	101	3.0"	76.2	1.5"	38.1

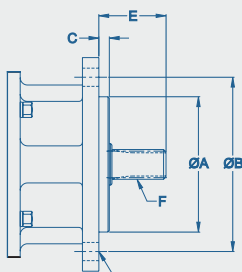
Hydraulic Flange Options



SAE Female Mount

Code	Type	Motor Pilot Diameter A		Mounting Diameter B.C.		Motor Pilot Depth C		Mounting Holes D	Internal Spline E
		in	mm	in	mm	in	mm		
H1	SAE A	3.251"-3.255"	82.58-82.70	4.188"	106.40	0.39"	10.0	(2) 3/8"-16UNC-2B	1" with 1/4" Keyway
H2	SAE B	4.001"-4.006"	101.63-101.75	5.75"	146.05	0.41"	10.4	(2) 1/2"-13UNC-2B	13T-16/32DP
H3	SAE C	5.001"-5.006"	127.03-127.15	7.125"	180.98	0.59"	15.0	(2) 5/8"-11UNC-2B	14T-12/24DP

Metric pump flanges available. Contact Omni Gear for details.

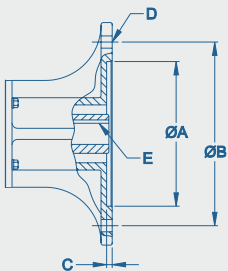


SAE Male Mount

Code	Type	Motor Pilot Diameter A		Mounting Diameter B.C.		Motor Pilot Length C		Mounting Holes D	External Spline E
		in	mm	in	mm	in	mm		
H4	SAE A	3.251"-3.255"	82.58-82.70	4.188"	106.40	0.25"	6.4	(2) 3/8"-16UNC-2B	13T-16/32DP
H5	SAE B	4.001"-4.006"	101.63-101.75	5.75"	146.05	0.38"	9.7	(2) 1/2"-13UNC-2B	15T-16/32DP
H6	SAE C	5.001"-5.006"	127.03-127.15	7.125"	180.98	0.50"	12.7	(2) 5/8"-11UNC-2B	14T-12/24DP

Metric pump flanges available. Contact Omni Gear for details.

Electric Motor Flange Option



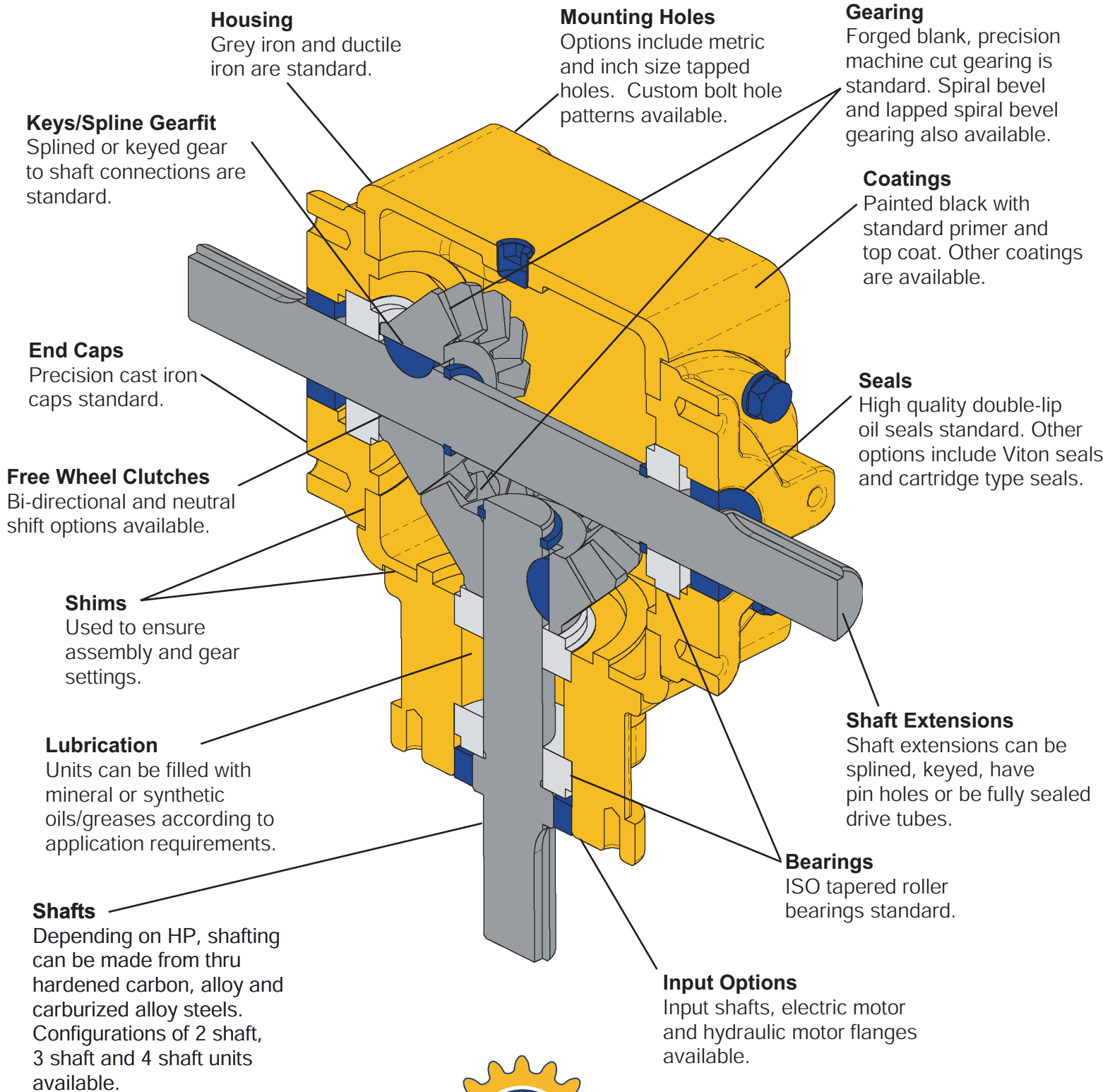
NEMA Mount

Code	Type	Motor Pilot Diameter A		Mounting Diameter B.C.		Motor Pilot Depth C		Mounting Holes D	Internal Bore E
		in	mm	in	mm	in	mm		
E1	NEMA 56	4.500"-4.503"	114.30-114.37	6.50"	165.1	0.16"	4.0	(4) 0.43"[10.9] Thru	5/8" with 3/16" Keyway
E2	NEMA 140	4.500"-4.503"	114.30-114.37	6.50"	165.1	0.16"	4.0	(4) 0.43"[10.9] Thru	7/8" with 3/16" Keyway
E3	NEMA 180	8.500"-8.503"	127.03-127.15	9.00"	228.6	0.23"	5.8	(4) 0.55"[13.9] Thru	1 1/8" with 1/4" Keyway

IEC flanges available. Contact Omni Gear for details.

Other Custom Options Available. Contact Omni Gear for Details.





OMNI GEAR®



E-mail: Sales@OmniGear.com Web: www.OmniGear.com

©2003 Omni Gear®, All rights reserved